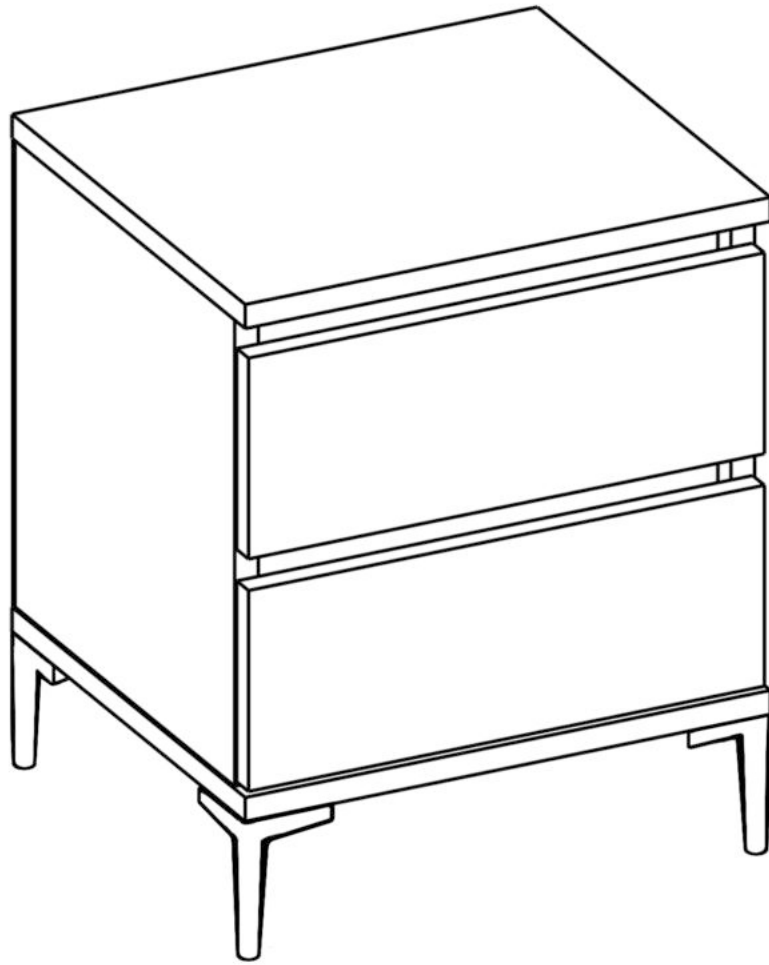
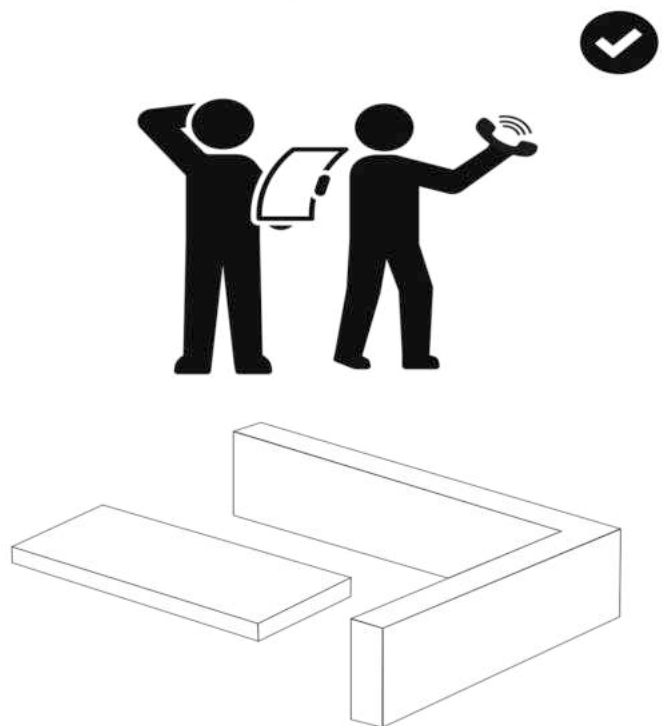
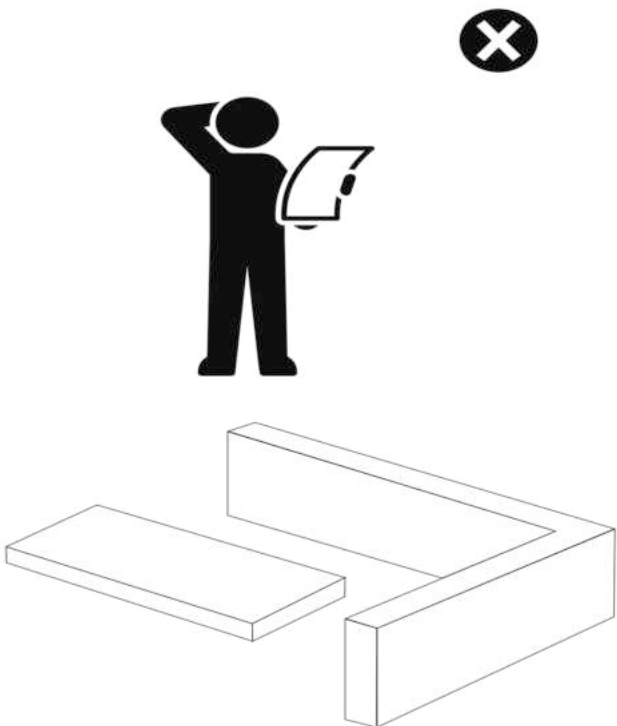
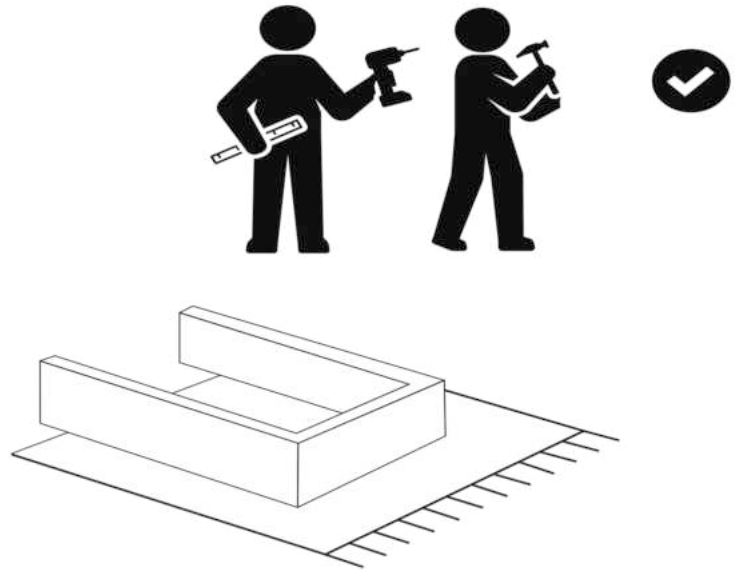
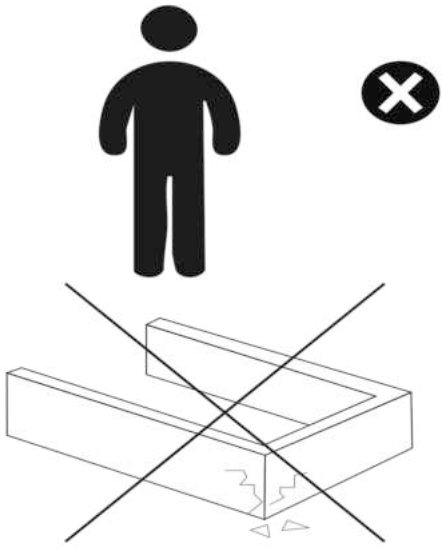
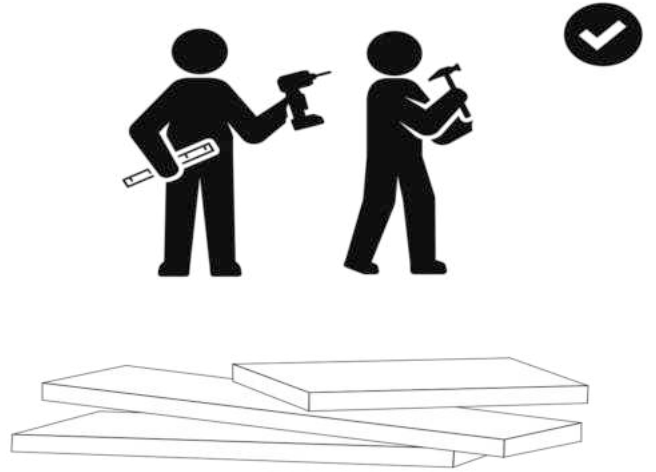
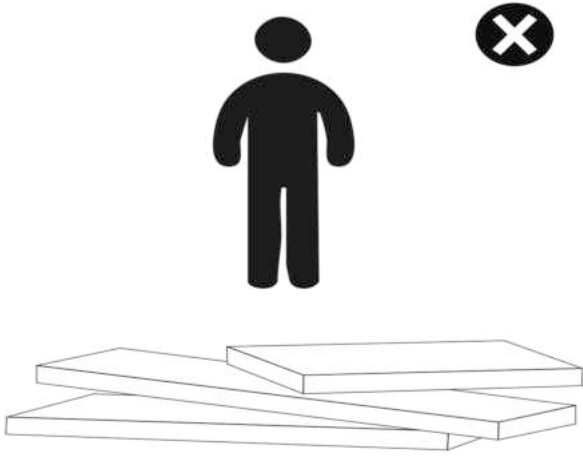








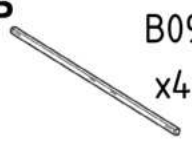




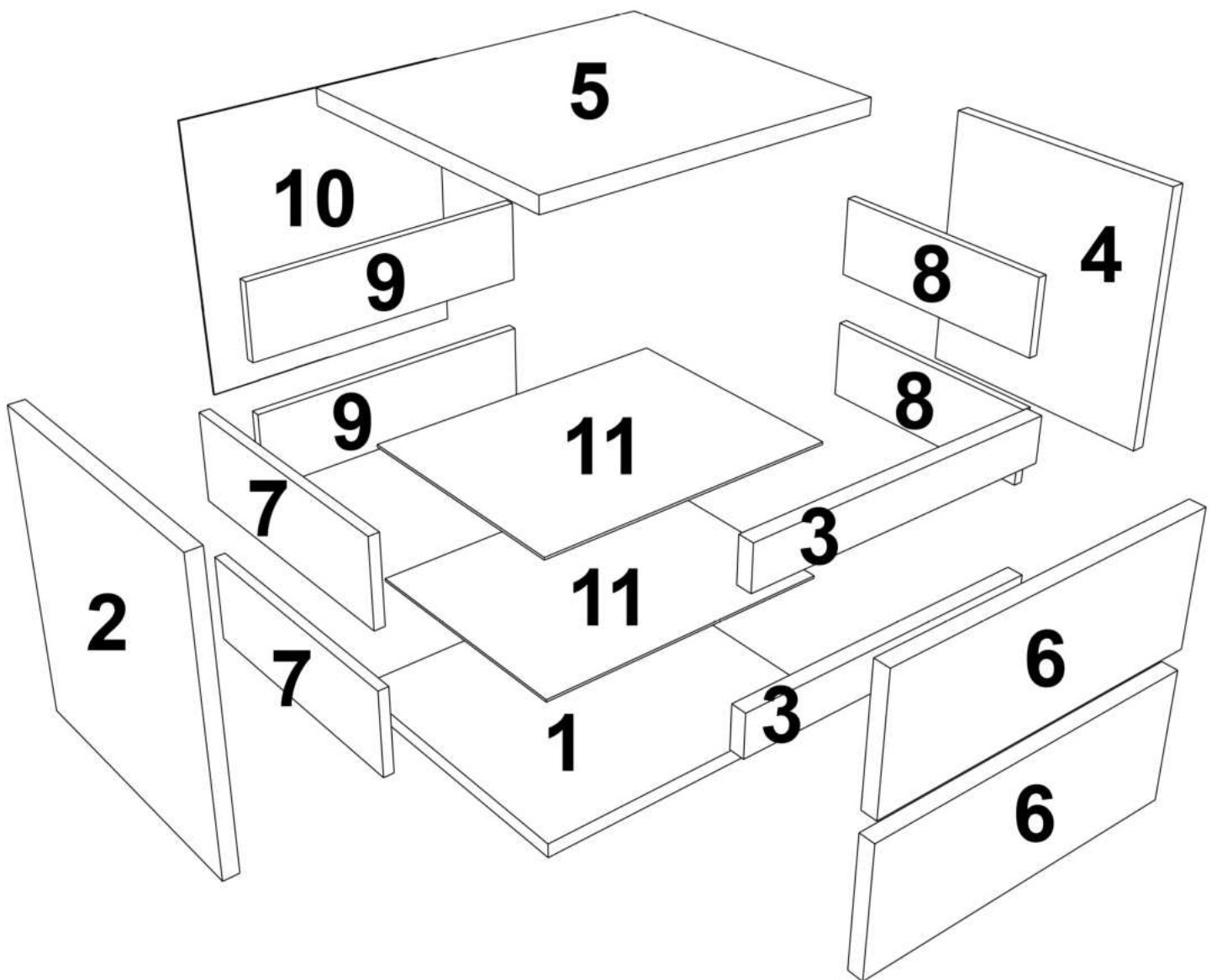


AR6





1  B0501 x8	1  B0502 x8	1  B0503 x17	1  B0504 x8	2  B0301 x9
2  B0304 x8	1  B0511 x8	1  B0510 x8	P  B0905 x4	2  B0328 x4
P  B1004 x4	2  B0326 x17	2  B0318 x15		





B1004



x4

B0502



x2

B0503



x2

B0504



x2

B0501

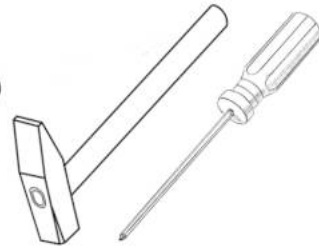


x2

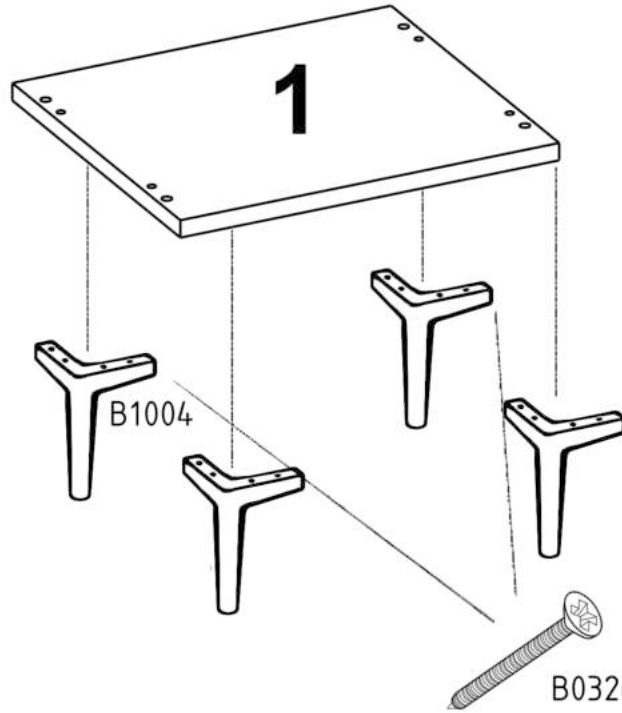
B0326



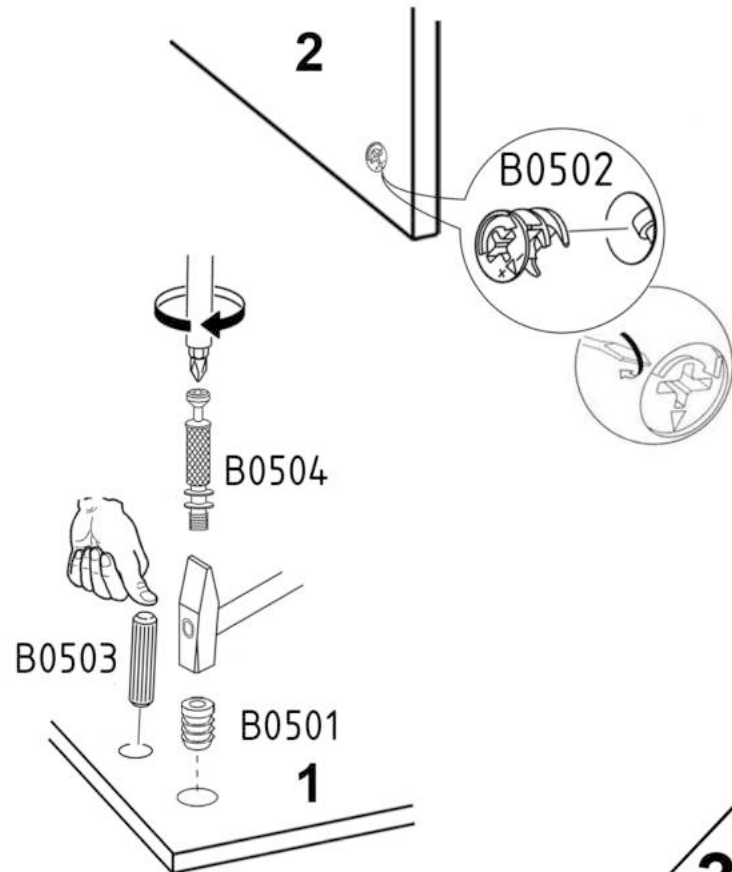
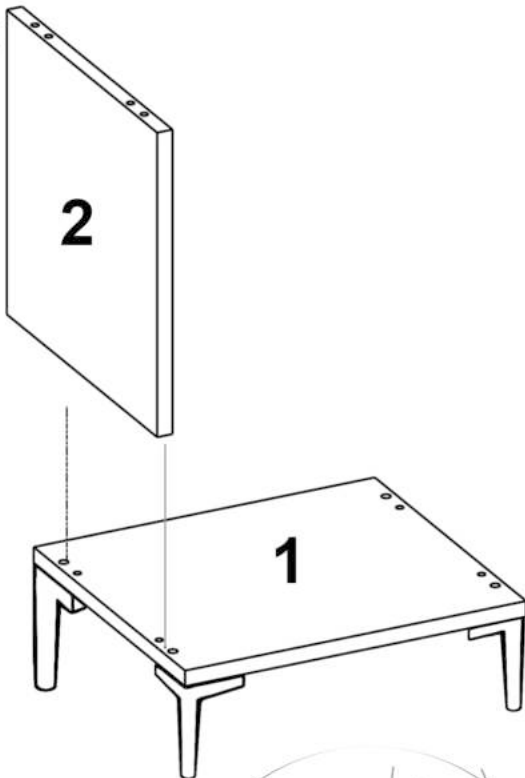
x16



1



2



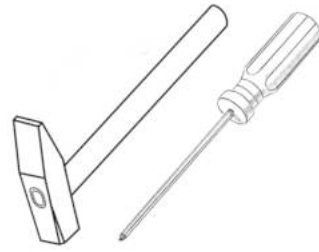
3



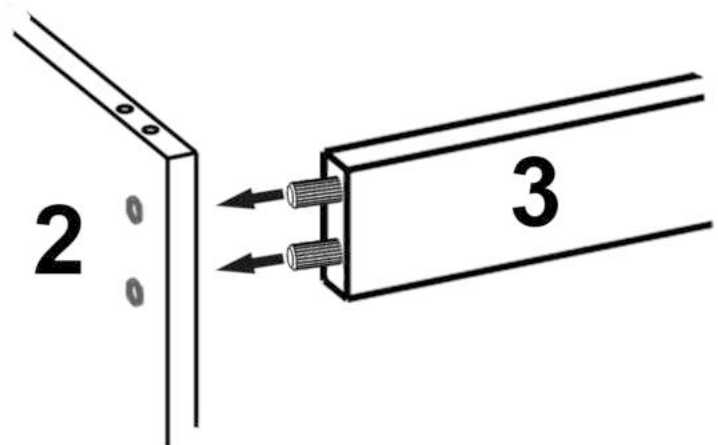
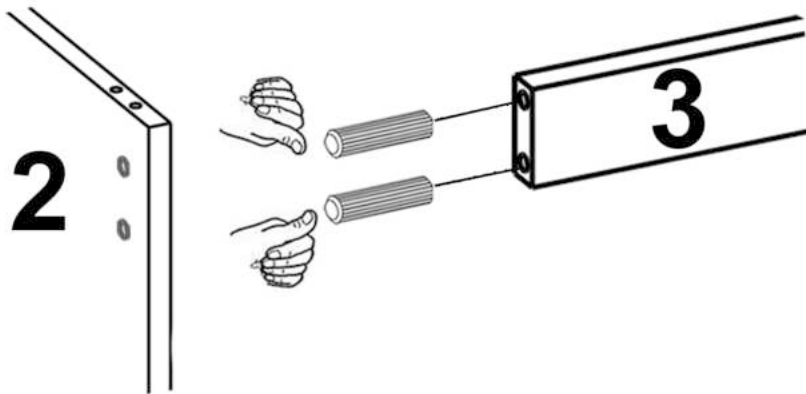
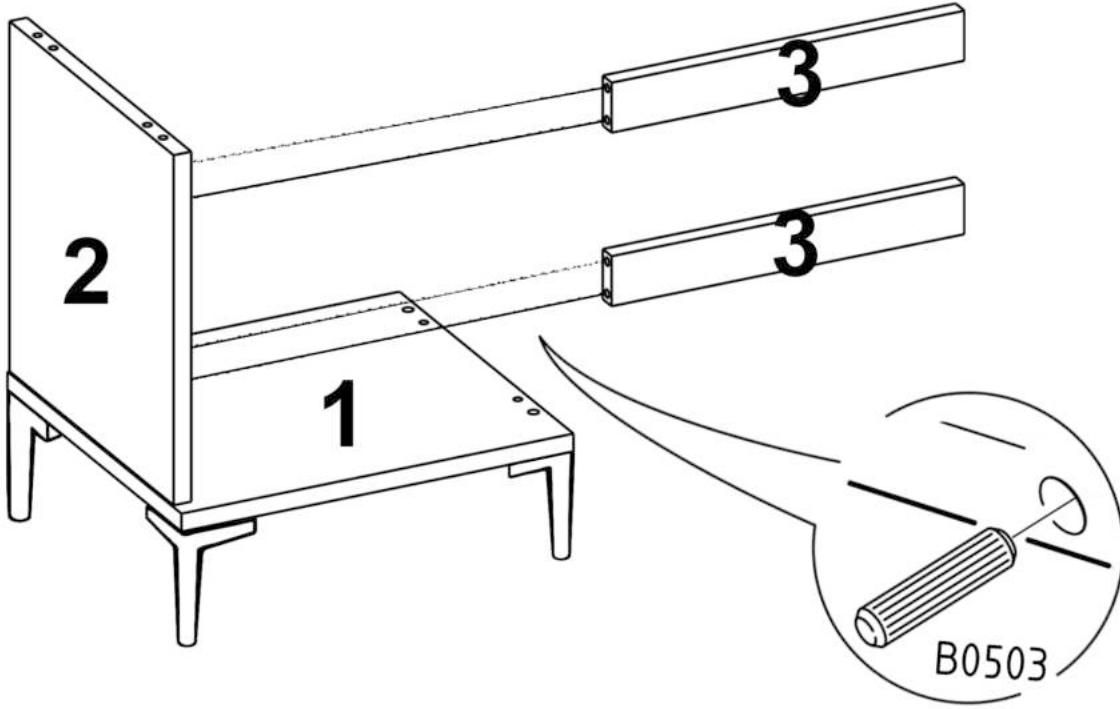
B0503



X4



3



4



B0502



x2

B0503



x6

B0504

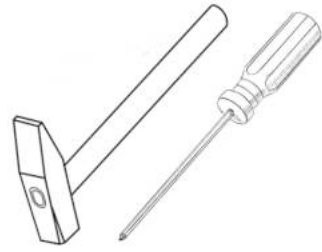


x2

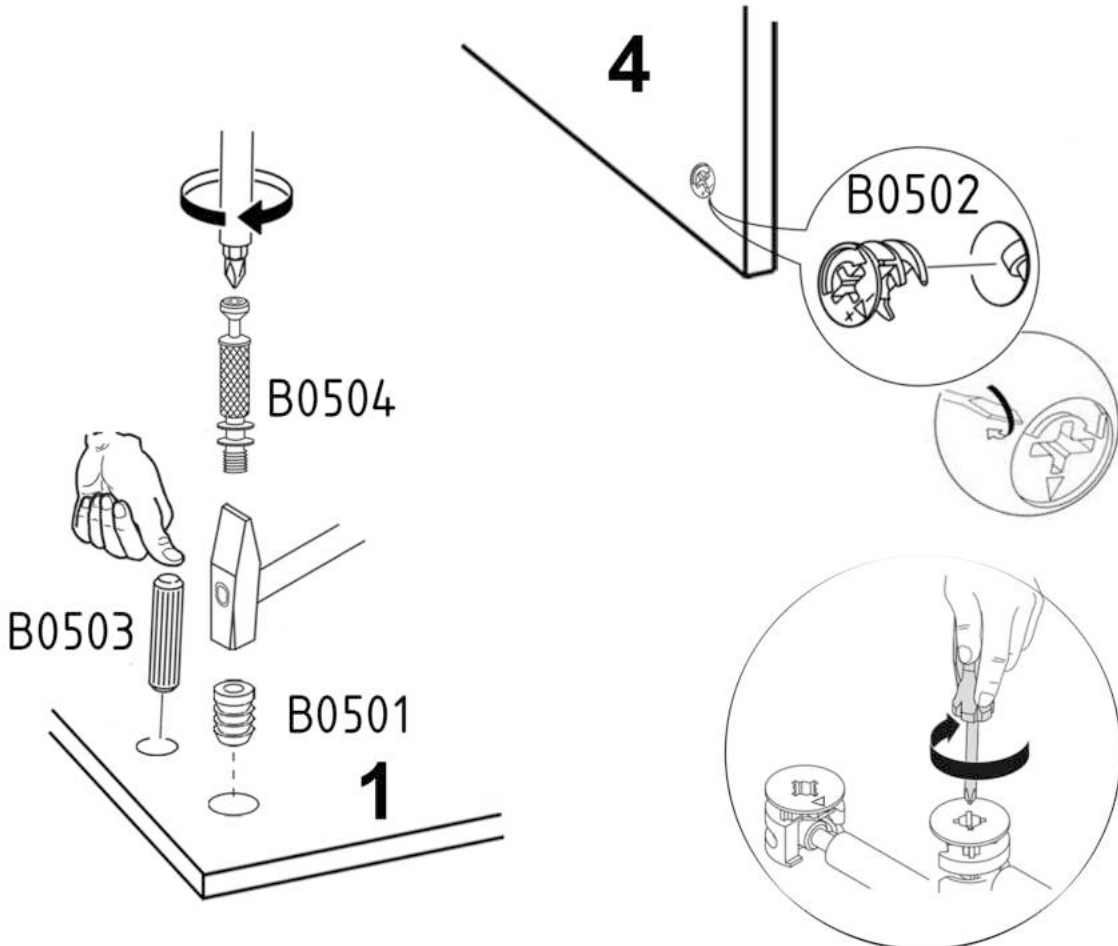
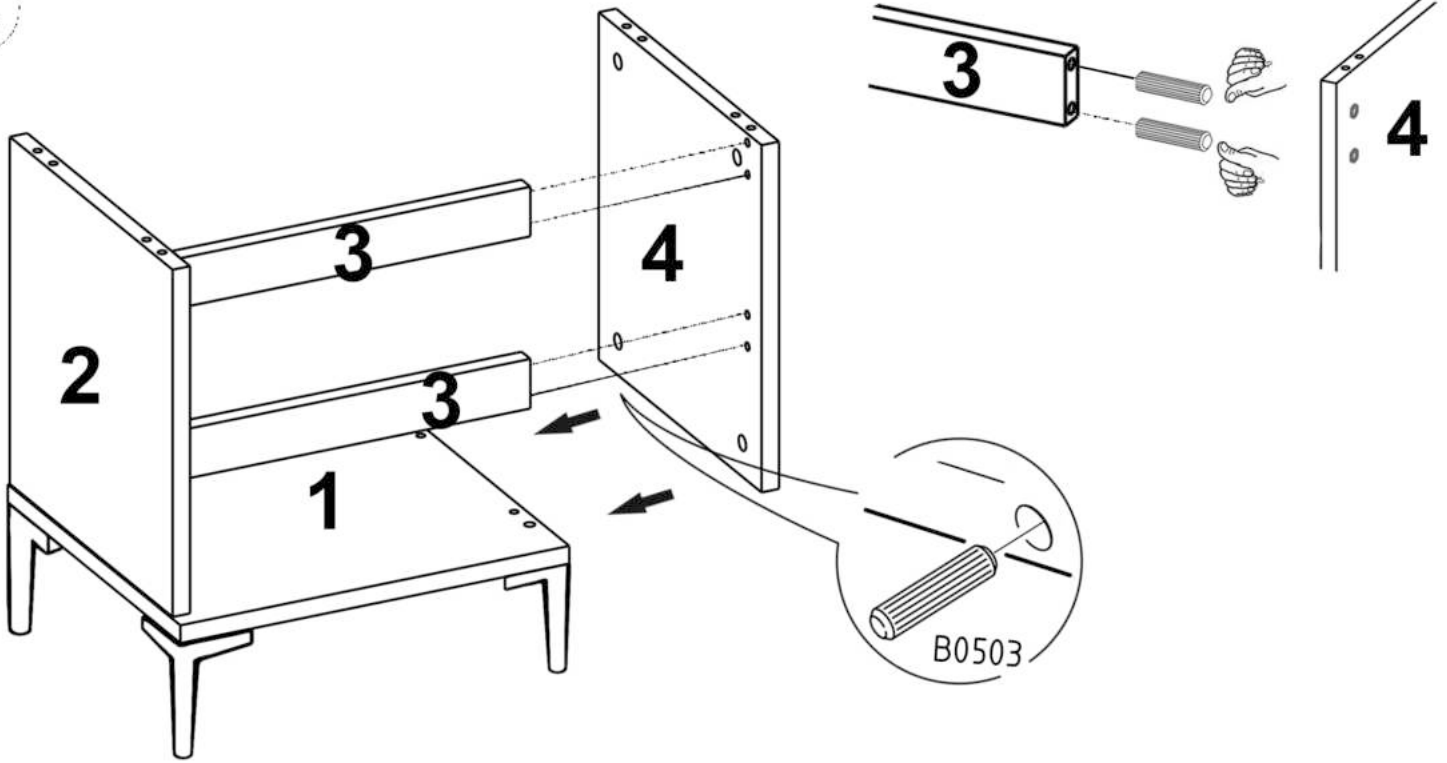
B0501



x2



4



5



B0502



x4

B0503



x4

B0504



x4

B0501

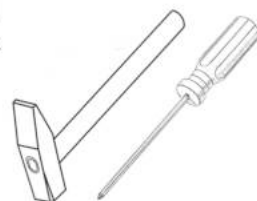


x4

B0511

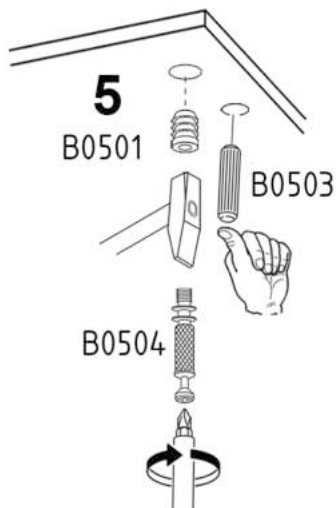


x8



5

5



5

B0501

B0503

B0504

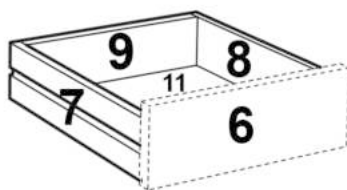
2-4

B0502

6

B0511

6



7

8

6

6



B0510



x8

B0905



x4

B0304

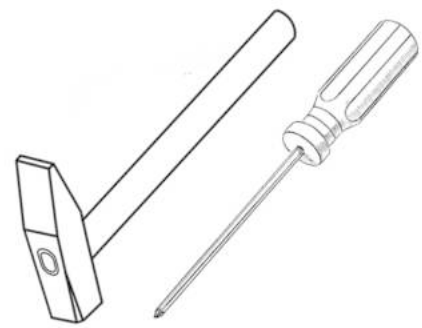


x8

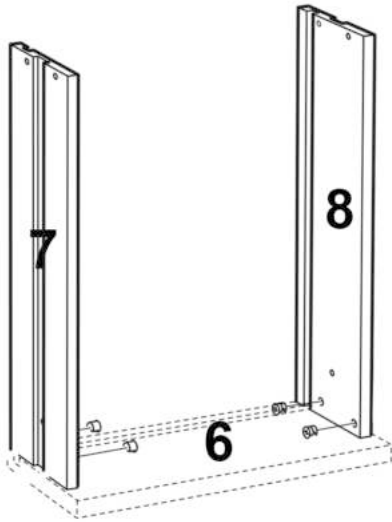
B0301



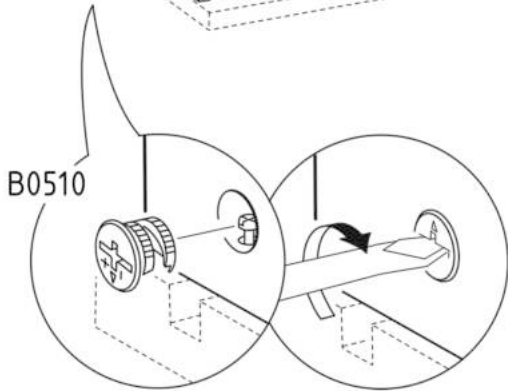
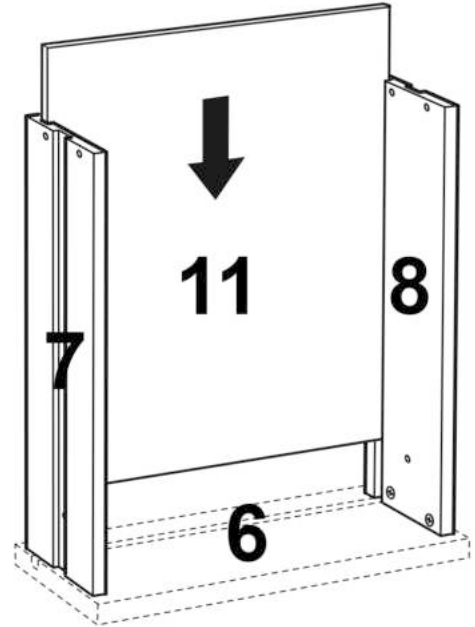
x8



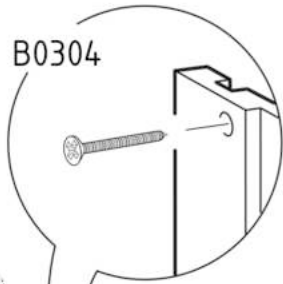
7



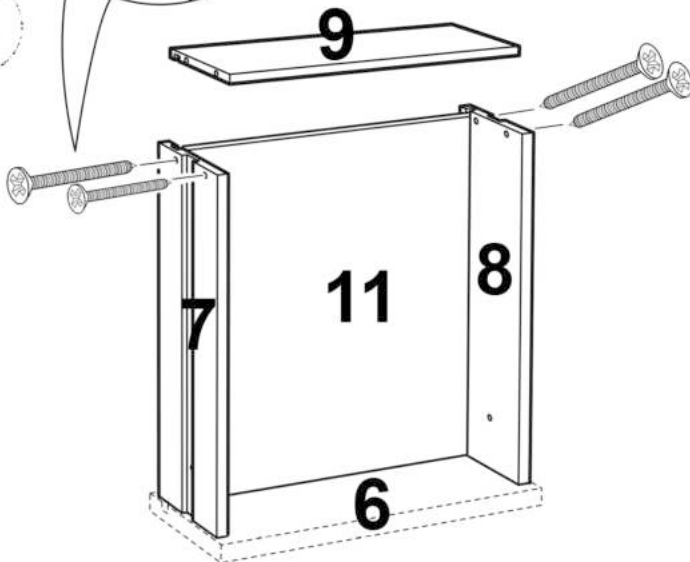
8



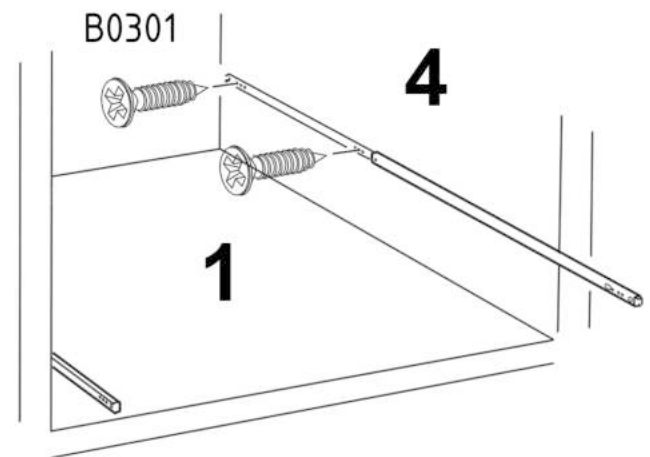
B0304



9



10



7



B0318

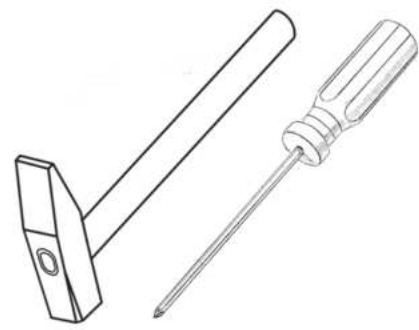


x15

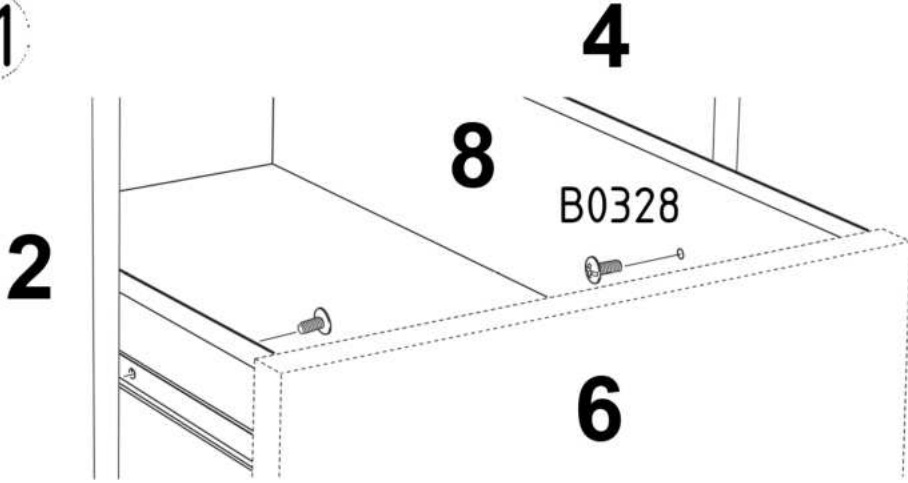
B0328



x4



11



12

